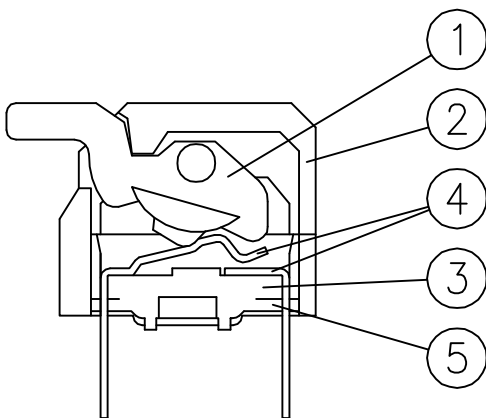
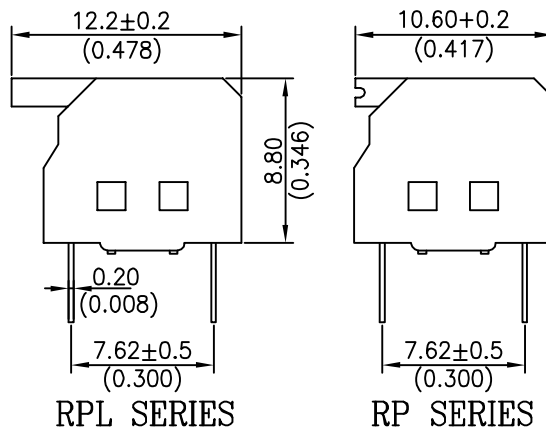
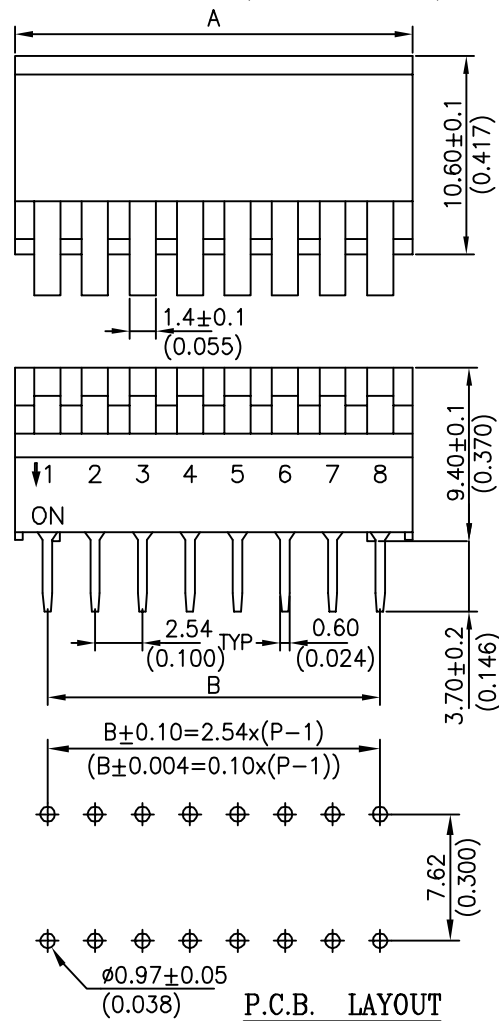
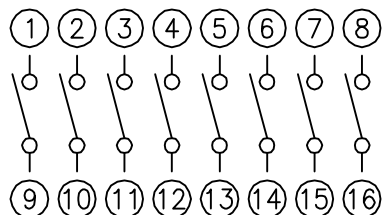


PART NO:RPL/RP series  
 DIMENSION:(UNIT:mm/inches)



CONSTRUCTION



CIRCUIT DIAGRAM

PART NO.	NO.OF POS	DIM.A	DIM.B
RPL/RP-03	03	9.15(0.360)	5.08(0.200)
RPL/RP-04	04	11.34(0.446)	7.62(0.300)
RPL/RP-05	05	13.88(0.546)	10.16(0.400)
RPL/RP-06	06	16.42(0.646)	12.70(0.500)
RPL/RP-08	08	21.50(0.846)	17.78(0.700)
RPL/RP-10	10	26.58(1.046)	22.86(0.900)
RPL/RP-12	12	31.66(1.246)	27.94(1.100)

ITEM	DES	MATERIALS	TREATMENT
1	ACTUATOR	UL94V-0 PBT THERMOPLASTIC	WHITE
2	COVER	UL94V-0 PBT THERMOPLASTIC	BLUE, RED.BLACK
3	BASE	UL94V-0 PBT THERMOPLASTIC	BLACK
4	TERMINAL	PHOSPHOR BRONZE	GOLD PLATING
5	POTTING	EXPOXY	BLACK

一般公差		PART NAME: PIANO TYPE DIP SWITCH	PART NO: RP-□□ RPL-□□	
尺寸範圍	容許值		SCALE	
0-4	±0.05	HONGJU ELECTRONIC CO., LTD	UNIT	mm(IN)
4-16	±0.1		3RD	
16-50	±0.15			