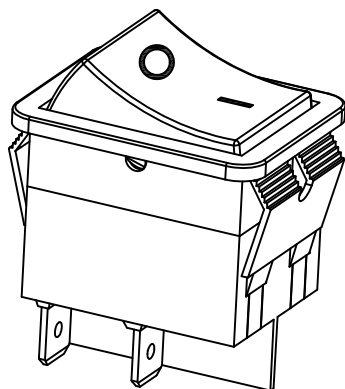
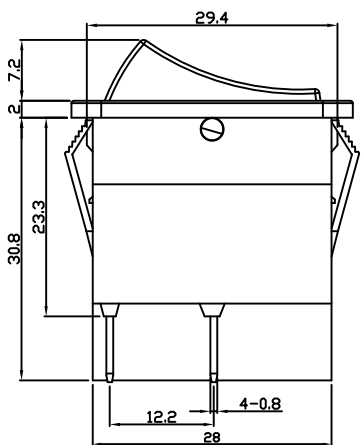
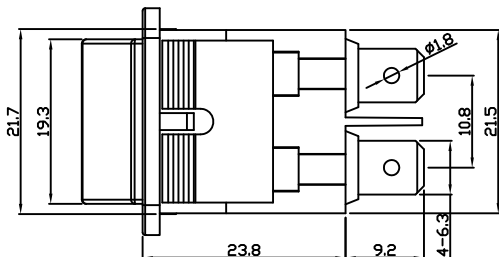
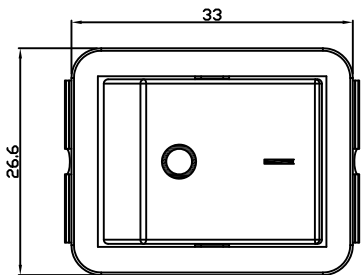


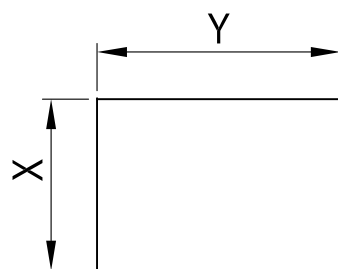


R-6

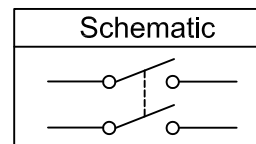


Rating: 25A 250V AC (UL CUL VDE ENEC CB CQC)
 Contact Resistance: 50mΩ (Max)
 Insulation Resistance: DC 500V 100MΩ (Min)
 Dielectric Strength: AC1500V 1 minute
 Electrical life: 10,000 cycles
 Operating Force: 600±200gf
 Operating Temperature: 0°C~85°C
 Safety Approval: RoHS
 IP Class: IP67 protection;
 Switching Circuit: ON~OFF;

Panel Mounting



	X	Y
1.5-2.0	22 ^{+0.1} _{-0.0}	30.2 ^{+0.1} _{-0.0}
2.0-3.0	22 ^{+0.1} _{-0.0}	30.4 ^{+0.1} _{-0.0}



ON-OFF

MATERIAL:

Body:Nylon66,UL rated:94V-2 min
 Actuator:Nylon66,UL rated:94V-2 min
 Terminal:Brass,silver or tin plated

Marking	x	0	1	2	3	4	5	7	8	9	B	C	E	F	G
	柄	None	●	ON OFF	— —	— —	— —	— —	Front/背面 Back/背面	Front/背面 Back/背面	强劲 柔和		RUN STOP	充电 放电	开关

				公差 TOLERANCES		.X± 0.3 .XX± 0.15		角度 ± 1°		单位 DIMENSION UNIT		mm.			
				版本 VERSION	A0	比例尺 SCALE	NONE	日期 DATE	2020.06.20	品名 TITLE		图号 DRAWING NO			
				核准		核对	Z. H. B.	绘图	王立权	R-6-210-C5N-BR		R-6-210-C5N-BR_A0			
版本 VER.	变更说明 CHANGE DESCRIPTION	日期 DATE	ECN NO.	APPROVED BY		CHECKED BY		DRAWN BY		R-6-210-C5N-BR		R-6-210-C5N-BR_A0			