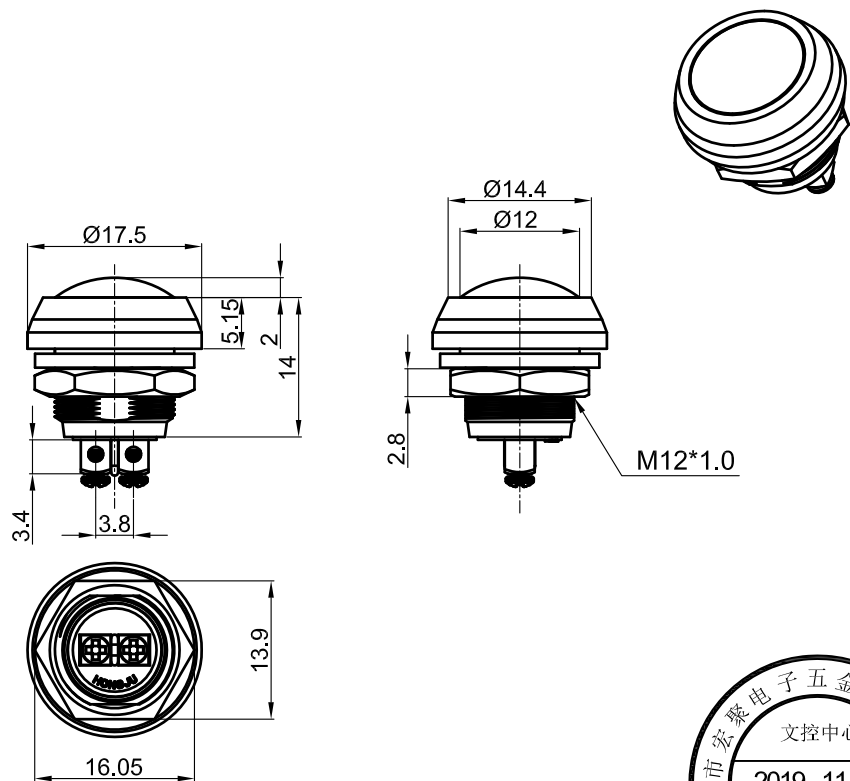




PB08

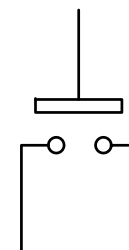


SPECIFICATIONS:

1. Contact Rating : 2A @ 36V DC;
2. Electrical Life : 200,000 cycles;
3. Contact Resistance: 50m~ohms max(initial);
4. Insulation Resistance :1,00M~ohms min @ 500 VDC;
5. Dielectric Strength:2,000V RMS 50~60Hz;
6. Operating Temperature:-20°C~+70°C;
7. Switching Circuit: (ON)~OFF;
8. IP Class: IP65 protection;
9. Torque: 5~14NM max. applied to nut.
10. Operating Force: 5.5N max.

MATERIALS:

1. Bushing : Zinc alloy,black nickel plated
2. Contact : Silver alloy
3. Nut : Nickel plated brass
4. Button & Base :PBT&PA66.



CONTACT CONFIGURATION

				公差 TOLERANCES	.X±0.3	.XX±0.15	角度 ANGLE ±1°	单位 DIMENSION UNIT mm.
				版本 VERSION	A1	比例尺 SCALE	NONE	品名 TITLE
A1	重新整理发行	2019.11.09	N/A	核准		核对	Z.H.B.	日期 DATE
版本 VER.	变更说明 CHANGE DESCRIPTION	日期 DATE	ECN NO.	APPROVED BY		CHECKED BY		日期 DATE
								图号 DRAWING NO
								PB-08-MB-R
								PB-08-MB-R_A1