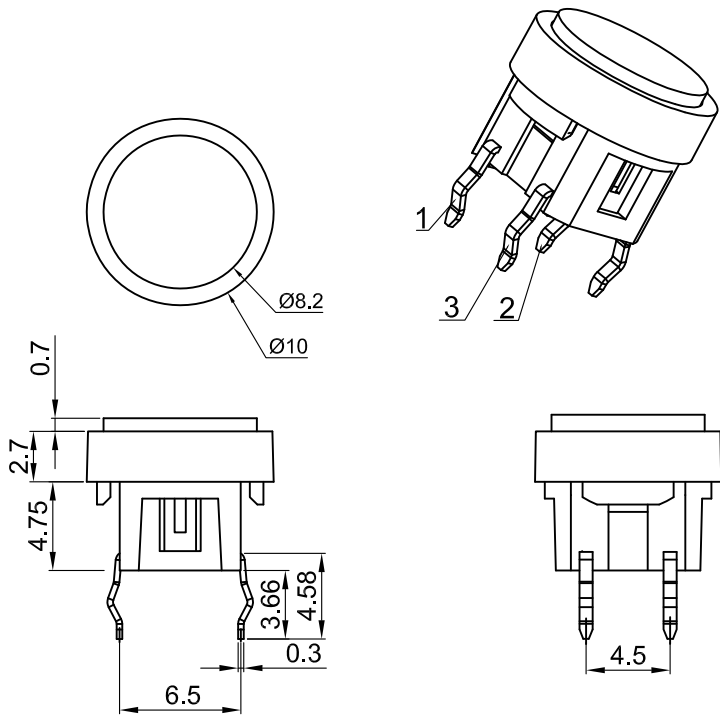




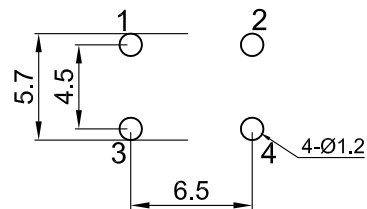
TS2



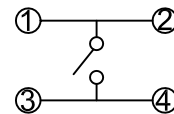
Specifications

Circuit	:SPST
Current rating	:50mA
Voltage rating	:12VDC
Dielectric withstanding voltage	:250VAC for 1 minute
Contact resistance	:100m $\Omega$ Max. (Initial)
Insulation resistance	:100M $\Omega$ Min.
Operating force	:300 $\pm$ 50gf
	:200 $\pm$ 50gf
Total travel	:0.25mm $\pm$ 0.1mm
Operating life	:100,000 cycles Min
Solder specifications	:260 $^{\circ}$ C for 5 seconds
Function	:Momentary
Operating temperature	:+10 $^{\circ}$ C ~ +60 $^{\circ}$ C

P.C.B. LAYOUT



CIRCUIT



MATERIAL:

Base Frame: Nylon46, UL rated:94 V-2 Min. ;  
 Outer Frame: Nylon66, UL rated:94 V-2 Min. ;  
 Actuator: PBT, UL rated:94 V-2 Min. ;  
 Cap: ABS ;  
 Terminal: Brass, Silver or Tin plated .

				公差 TOLERANCES		.X $\pm$ 0.3		.XX $\pm$ 0.15		角度 ANGLE $\pm$ 1 $^{\circ}$		单位	DIMENSION UNIT	mm.
A2	重新整理后发行	2019.10.16	N/A	版本	A2	比例尺	NONE	日期	2019.10.16	品名	TITLE	图号	DRAWING NO	
A1	重新整理后发行	2014.07.17	N/A	核准		核对	Z.H.B.	绘图	王立权	TS2-2A-3UN		TS2-2A-3UN_A2		
版本 VER.	变更说明 CHANGE DESCRIPTION	日期 DATE	ECN NO.	APPROVED BY		CHECKED BY		DRAWN BY						