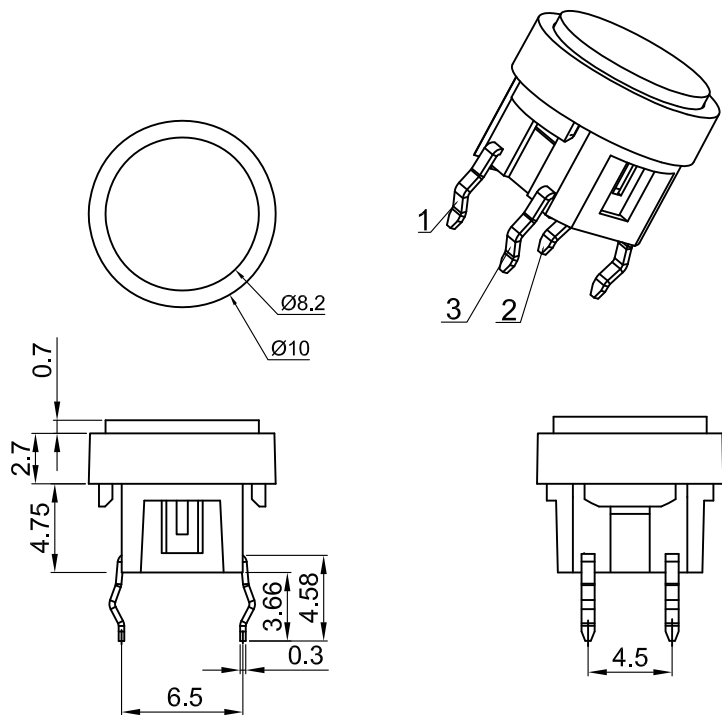




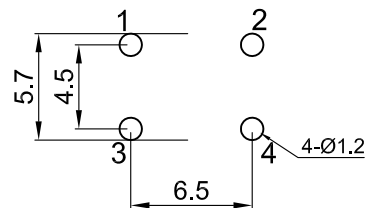
TS2



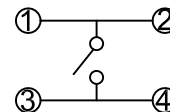
Specifications

|                                 |                                      |
|---------------------------------|--------------------------------------|
| Circuit                         | :SPST                                |
| Current rating                  | :50mA                                |
| Voltage rating                  | :12VDC                               |
| Dielectric withstanding voltage | :250VAC for 1 minute                 |
| Contact resistance              | :100m $\Omega$ Max. (Initial)        |
| Insulation resistance           | :100M $\Omega$ Min.                  |
| Operating force                 | :300 $\pm$ 50gf                      |
|                                 | :200 $\pm$ 50gf                      |
| Total travel                    | :0.25mm $\pm$ 0.1mm                  |
| Operating life                  | :100,000 cycles Min                  |
| Solder specifications           | :260 $^{\circ}$ C for 5 seconds      |
| Function                        | :Momentary                           |
| Operating temperature           | :+10 $^{\circ}$ C ~ +60 $^{\circ}$ C |

P.C.B. LAYOUT



CIRCUIT



MATERIAL:

Base Frame: Nylon46, UL rated:94 V-2 Min. ;  
 Outer Frame: Nylon66, UL rated:94 V-2 Min. ;  
 Actuator: PBT, UL rated:94 V-2 Min. ;  
 Cap: ABS ;  
 Terminal: Brass, Silver or Tin plated .

|         |                         |            |         | 公差 TOLERANCES |    | .X $\pm$ 0.3 | .XX $\pm$ 0.15 | 角度 ANGLE $\pm 1^{\circ}$ |            | 单位 DIMENSION UNIT | mm.           |
|---------|-------------------------|------------|---------|---------------|----|--------------|----------------|--------------------------|------------|-------------------|---------------|
| A2      | 重新整理后发行                 | 2019.10.16 | N/A     | 版本 VERSION    | A2 | 比例尺 SCALE    | NONE           | 日期 DATE                  | 2019.10.16 | 品名 TITLE          | 图号 DRAWING NO |
| A1      | 重新整理后发行                 | 2014.07.17 | N/A     | 核准            |    | 核对           | Z.H.B.         | 绘图                       | 王立权        | TS2-2A-3RN        | TS2-2A-3RN_A2 |
| 版本 VER. | 变更说明 CHANGE DESCRIPTION | 日期 DATE    | ECN NO. | APPROVED BY   |    | CHECKED BY   |                | DRAWN BY                 |            |                   |               |