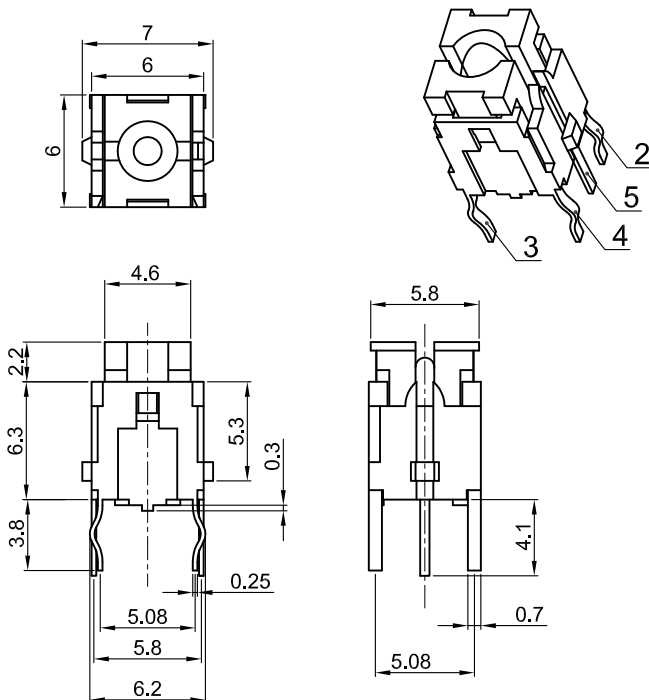




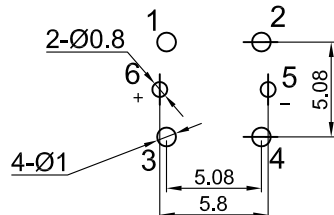
TS1



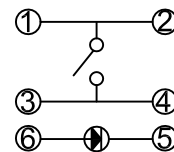
Specifications

Circuit :SPST  
 Current rating :50mA  
 Voltage rating :12VDC  
 Dielectric withstanding voltage :250VAC for 1 minute  
 Contact resistance :100mΩ Max. (Initial)  
 Insulation resistance :100MΩ Min.  
 Operating force :200±50gf  
 :300±50gf  
 Total travel :0.25mm±0.1mm  
 Operating life :100,000 cycles Min  
 Solder specifications :260±5° C for 5 seconds  
 Function :Momentary  
 Operating temperature :+10° C ~ +60° C

P.C.B. LAYOUT



CIRCUIT



MATERIAL:

Base Frame: Nylon46, UL rated:94 V-2 Min. ;  
 Actuator: Nylon66, UL rated:94 V-2 Min. ;  
 Terminal: Brass, Silver or Tin plated .

				公差 TOLERANCES		.X± 0.3 .XX± 0.15		角度 ANGLE ± 1°		单位 DIMENSION UNIT mm.	
				版本 VERSION	A1	比例尺 SCALE	1:1	日期 DATE	2020.07.17	品名 TITLE	图号 DRAWING NO
A1	重新整理后发行	2020.07.17	N/A	核准		核对	Z.H.B.	绘图		TS1-00-00R	TS1-00-00R_A1
版本 VER.	变更说明 CHANGE DESCRIPTION	日期 DATE	ECN NO.	APPROVED BY		CHECKED BY		DRAWN BY			