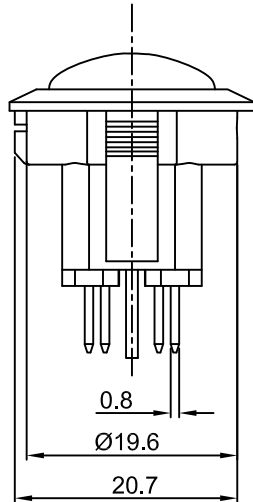
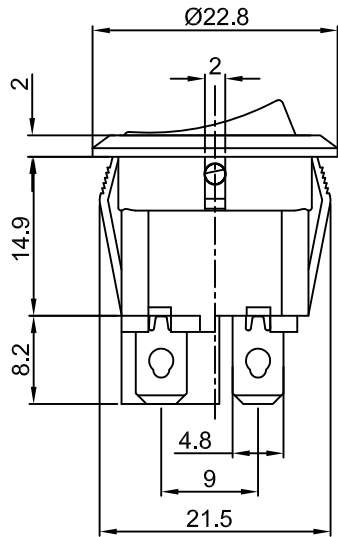
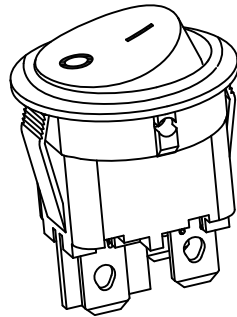
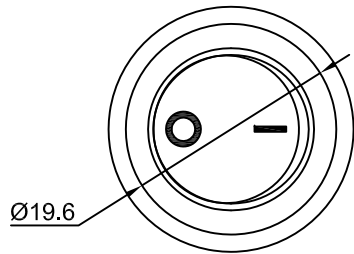




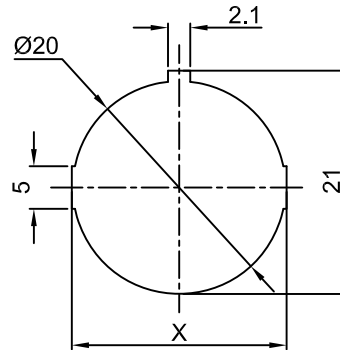
MR-6A



Rating: 10A 125V AC (UL CUL)
6A 250V AC (VDE CQC CB)
10A 250V AC

Contact Resistance: 50mΩ Max
Insulation Resistance: DC 500V 100MΩ Min
Dielectric Strength: AC1500V 1 minute
Electrical life: 10,000 cycles
Operating Temperature: 0°C~85°C

CUT-OUT

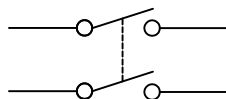


	X
0.75~1.25	20.2
1.25~2.00	20.4
2.00~3.00	20.6

MATERIAL:

Body:Nylon66,UL rated:94V-2 min
Actuator:PC
Terminal:Brass,silver or tin plated

SWITCHING CIRCUIT



X	0	1	2	3	4	5
Marking	None					

				公差 TOLERANCES	.X± 0.3	.XX± 0.15	角度 ANGLE ± 1°	单位 DIMENSION UNIT	mm.
				版本 VERSION	A1	比例尺 SCALE	NONE	品名 TITLE	图号 DRAWING NO
				核准		核对	Z.H.B.	MR6A-210-C5N-WU	MR6A-210-C5N-WU_A1
版本 VER.	变更说明 CHANGE DESCRIPTION	日期 DATE	ECN NO.	APPROVED BY		CHECKED BY	Z.H.B.	DRAWN BY	Z.H.B.