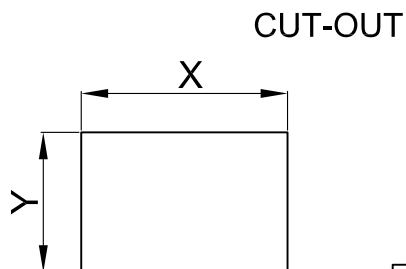
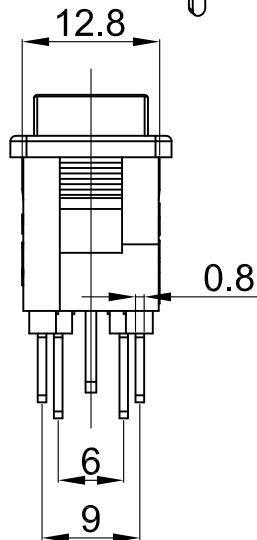
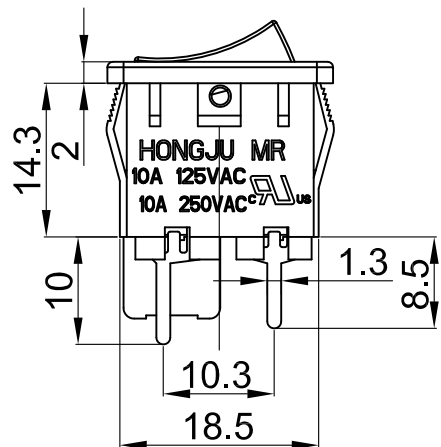
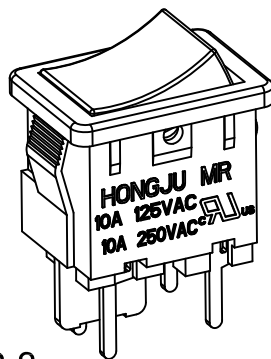
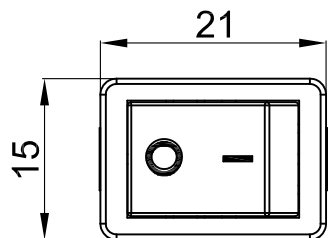




MR-6

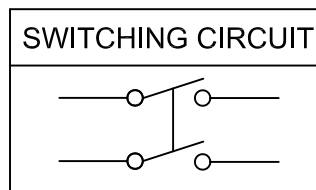


Rating: 10A 125V AC (UL CUL )   
 6A 250V AC (VDE CQC CB)

Contact Resistance: 50mΩ Max  
 Insulation Resistance: DC 500V 100MΩ Min  
 Dielectric Strength: AC1500V 1 minute  
 Electrical life: 10,000 cycles  
 Operating Temperature: 0°C ~ 85°C

MATERIAL:

Body:Nylon66,UL rated:94V-2 min  
 Actuator:Nylon66,UL rated:94V-2 min  
 Terminal:Brass,silver or tin plated



	X	Y
0.75~1.25	19.2-0.1	13.0+0.1
1.25~2.00	19.4-0.1	13.0+0.1
2.00~3.00	19.8-0.1	13.0+0.1

X	0	1	2	4	5	6	7
Marking	None						
							开关

				公差 TOLERANCES		.X±0.3 .XX±0.2		角度 ANGLE ±1°		单位 DIMENSION UNIT mm.	
版本 VERSION		A1	比例尺 SCALE		NONE		日期 DATE		2020.07.15		品名 TITLE
A1 重新整理发行		2020.07.15	N/A		核准		核对		绘图		MR6-211-C5N-BB
版本 VER.		变更说明 CHANGE DESCRIPTION		日期 DATE		ECN NO.		APPROVED BY		CHECKED BY	
										DRAWING NO	
										MR6-211-C5N-BB_A1	