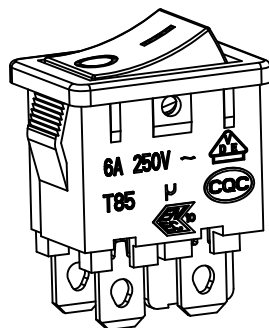
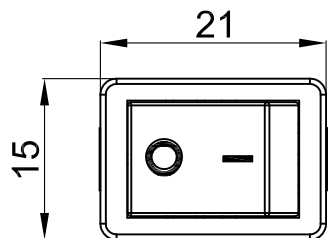




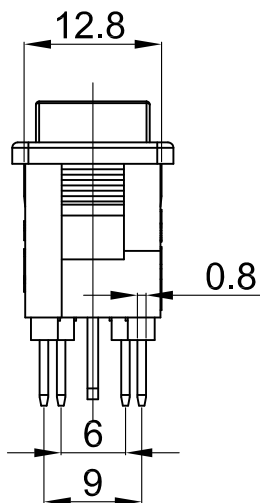
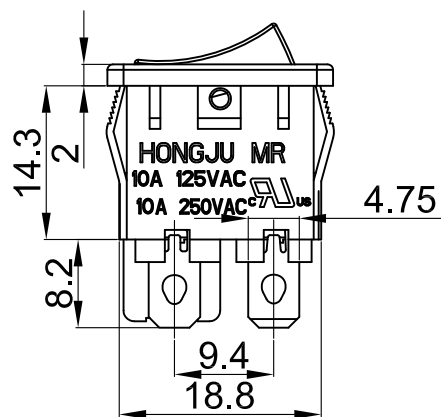
MR-6

受控文件

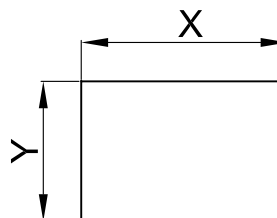


Rating: 10A 125V AC (UL CUL)
 6A 250V AC (VDE CQC CB)

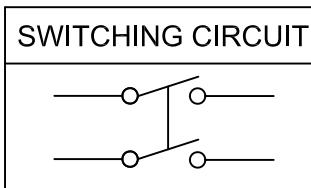
Contact Resistance: 50mΩ Max
 Insulation Resistance: DC 500V 100MΩ Min
 Dielectric Strength: AC1500V 1 minute
 Electrical life: 10,000 cycles
 Operating Temperature: 0°C ~ 85°C



CUT-OUT



	X	Y
0.75~1.25	19.2-0.1	13.0+0.1
1.25~2.00	19.4-0.1	13.0+0.1
2.00~3.00	19.8-0.1	13.0+0.1



MATERIAL:

Body:Nylon66,UL rated:94V-0 min
 Actuator:Nylon66,UL rated:94V-0 min
 Terminal:Brass,silver or tin plated

X	0	1	2	4	5	6	7
Marking	None						

			公差 TOLERANCES		.X±0.3	.XX±0.2	角度 ANGLE	± 1°	单位 DIMENSION UNIT	mm.
			版本 VERSION	A1	比例尺 SCALE	NONE	日期 DATE	2021.3.15	品名 TITLE	图号 DRAWING NO
			核准		核对	Z.H.B.	绘图		MR-6-210-C5N-BW	MR-6-210-C5N-BW_A1
版本 VER.	变更说明 CHANGE DESCRIPTION	日期 DATE	ECN NO.	APPROVED BY	CHECKED BY		DRAWN BY			