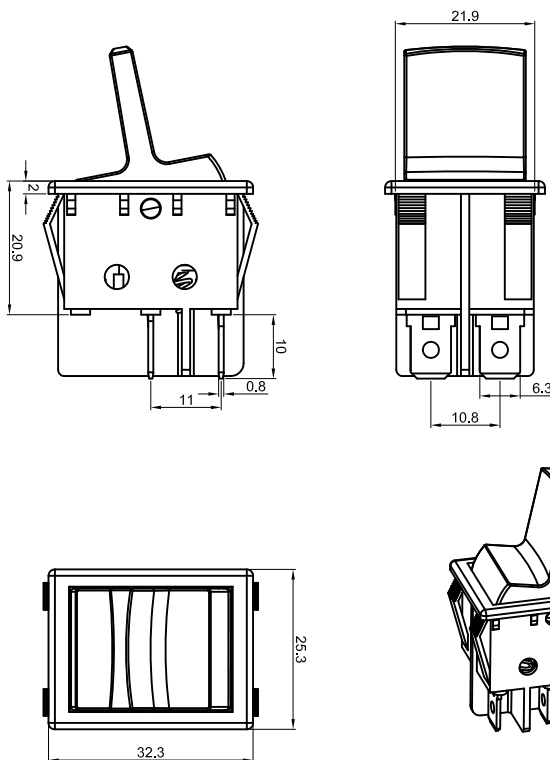


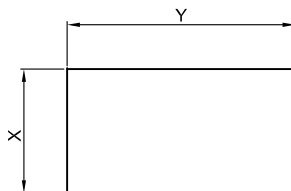


R

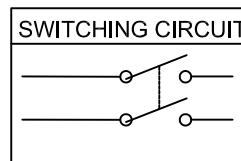


Rating: 16A 125V AC (UL CUL )  
 16A 250V AC (UL CUL VDE ENEC CB CQC)  
 Contact Resistance: 50m Ω (Max)  
 Insulation Resistance: DC 500V 100M Ω (Min)  
 Dielectric Strength: AC1500V 1 minute  
 Electrical life: 10,000 cycles  
 Operating Temperature: 0°C~85°C  
 Safety Approval:

CUT-OUT



	X	Y
0.75~1.25	30.0+0.1	22.0+0.1
1.25~2.00	30.2+0.1	22.0+0.1
2.00~3.00	30.4+0.1	22.0+0.1



ON-ON

MATERIAL:

Body:Nylon66,UL rated:94V-2 min  
 Actuator:Nylon66,UL rated:94V-2 min  
 Terminal:Brass with silver-plate

Marking	x	0	1	2	3	4	5	7	8	9	B	C	E	F	G
	柄	None	ON OFF	ON OFF	ON OFF	ON OFF	ON OFF	Front/前进 Back/后退	Front Back	强劲 柔和		RUN STOP	充电 标志	开关	

		公差 TOLERANCES		.X± 0.3 .XX± 0.15		角度 ± 1°		单位 DIMENSION UNIT mm.	
		版本 VERSION	A1	比例尺 SCALE	NONE	日期 DATE	2020.07.1	品名 TITLE	
		日期 DATE	2020.07.01	核审 APPROVED BY	王龙	核校 CHECKED BY	Z. H. B.	R-210-L0N-BB	
版本 VER.	变更说明 CHANGE DESCRIPTION	日期 DATE	ECN NO.	核审 APPROVED BY	王龙	核校 CHECKED BY	Z. H. B.	绘图 DRAWN BY	王立权
								图号 DRAWING NO	
								R-210-L0N-BB_A1	