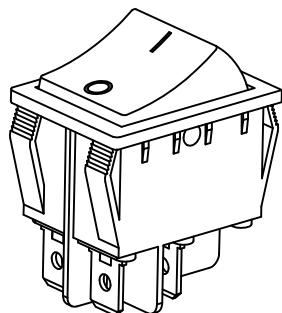
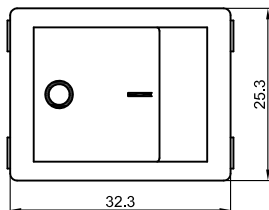
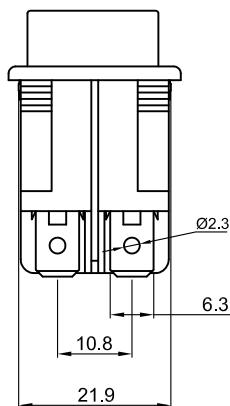
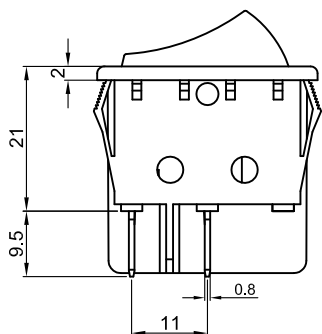




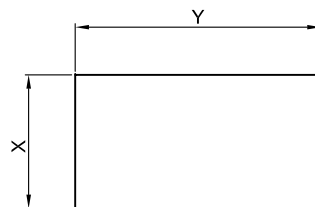
R



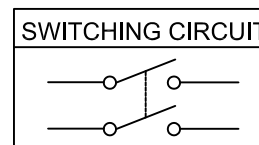
Rating: 16A 125V AC (UL CUL)
 16A 250V AC (UL CUL VDE ENEC CB CQC)
 Contact Resistance: 50m Ω (Max)
 Insulation Resistance: DC 500V 100M Ω (Min)
 Dielectric Strength: AC1500V 1 minute
 Electrical life: 10,000 cycles
 Operating Temperature: 0℃~85℃
 Safety Approval:



CUT-OUT



	X	Y
0.75~1.25	30.0+0.1	122.0+0.1
1.25~2.00	30.2+0.1	122.0+0.1
2.00~3.00	30.4+0.1	122.0+0.1



ON-OFF

MATERIAL:

Body:Nylon66,UL rated:94V-2 min

Actuator:Nylon66,UL rated:94V-2 min

Terminal:Brass with silver-plate

Marking	x	0	1	2	3	4	5	7	8	9	B	C	E	F	G
	柄	None	●	ON OFF	≡ —	— ○	! ○	Front/前进 Back/后退	Front Back	强劲 柔和	RUN STOP	充电 放电	开关		

				公差 TOLERANCES		.X± 0.3 .XX± 0.15		角度 ANGLE ± 1°		单位 DIMENSION UNIT		mm.			
				版本 VERSION	A1	比例尺 SCALE	NONE	日期 DATE	2020.07.01	品名 TITLE		图号 DRAWING NO			
				核准		核对		绘图		R-210-C5N-BB		R-210-C5N-BB_A1			
版本 VER.	变更说明 CHANGE DESCRIPTION			日期 DATE	ECN NO.	APPROVED BY	CHECKED BY	Z.H.B.	DRAWN BY						