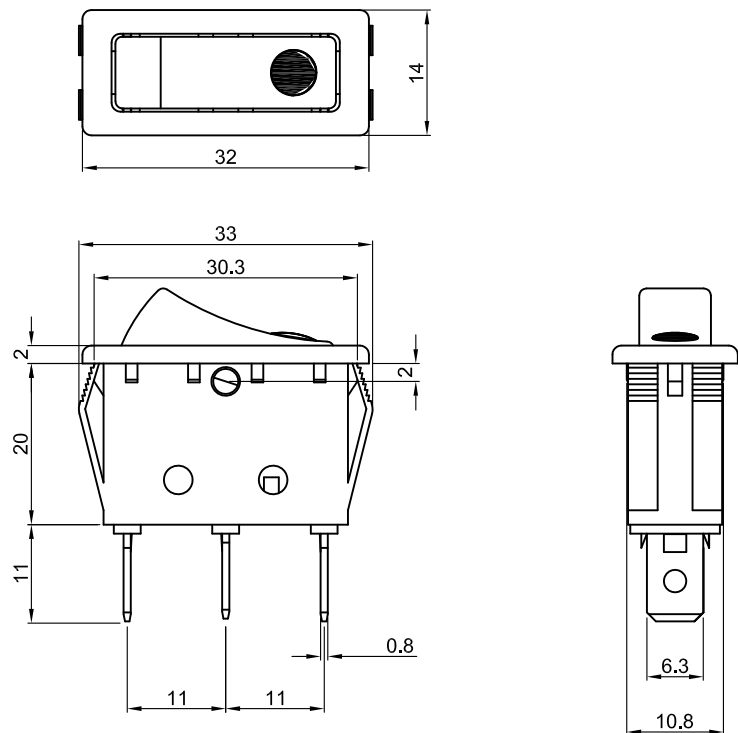


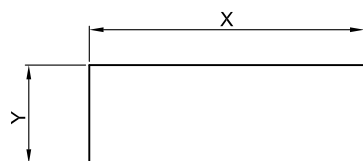


R-1

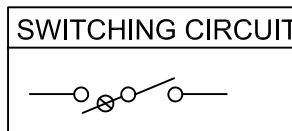
Rating: 16A 125V AC (UL CUL)
 16A 250V AC (UL CUL VDE ENEC CB CQC)
 Contact Resistance: 50mΩ (Max)
 Insulation Resistance: DC 500V 100MΩ (Min)
 Dielectric Strength: AC1500V 1 minute
 Electrical life: 10,000 cycles
 Operating Temperature: 0°C~85°C
 Safety Approval:



CUT-OUT



	X	Y
0.75~1.25	30.4+0.2	11.0+0.1
1.25~2.00	30.6+0.2	11.0+0.1
2.00~3.00	30.8+0.2	11.0+0.1



ON-OFF

MATERIAL:

Body:Nylon66,UL rated:94V-2 min
 Actuator:Nylon66,UL rated:94V-2 min
 Terminal:Brass with silver-plate

				公差 TOLERANCES		.X±0.3		.XX±0.15		角度 ANGLE ±1°		单位	DIMENSION UNIT		mm.
				版本	A1	比例尺	NONE	日期	2020.07.02			品名	TITLE	图号	
				重新整理发行	2020.07.02	N/A	核准	核对	Z.H.B.	绘图	R-1-110-R0L-BBR		DRAWING NO		R-1-110-R0L-BBR_A1
版本 VER.	变更说明	CHANGE DESCRIPTION	日期 DATE	ECN NO.	APPROVED BY	CHECKED BY	Z.H.B.	DRAWN BY			R-1-110-R0L-BBR		DRAWING NO		R-1-110-R0L-BBR_A1