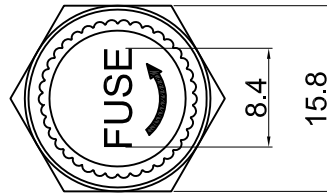
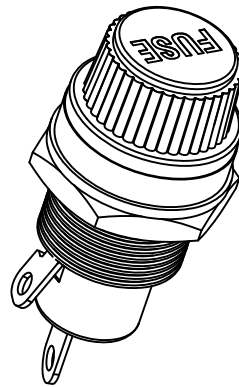
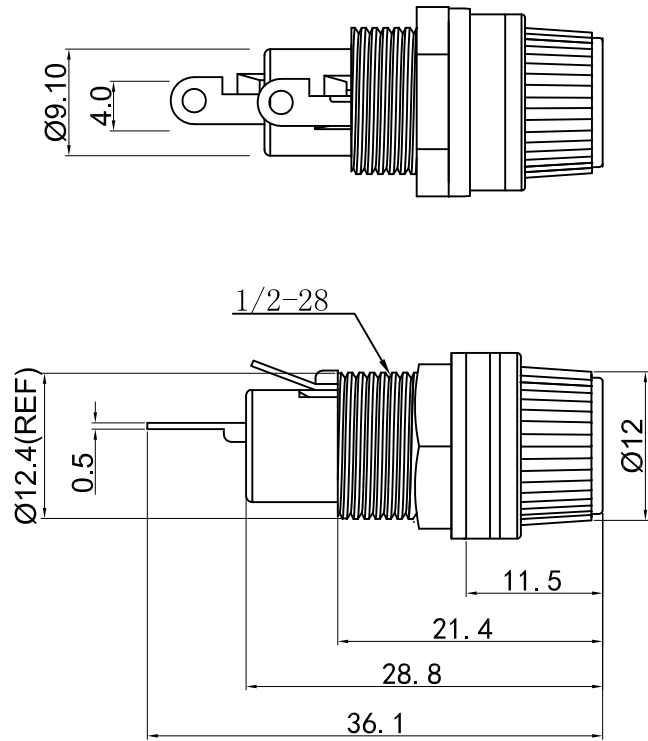




FH1-12



Fuse holder for overload protection

Screw-in mounting

Rating: 10A 250VAC (UL,CUL CE)

Fuse:Ø5.0x20mm

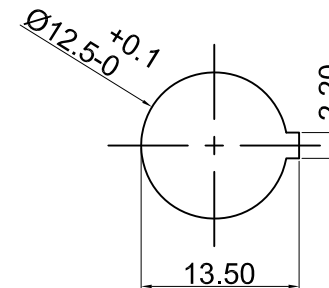
Cap:Screw type

Panel thickness:4.5mm max

Operating Temperature:-10°C~+70°C



PANEL MOUNTING



MATERIAL:

Housing:PBT,UL rated 94V0

Bayonet:PBT,UL rated 94V0

Terminal:Brass,silver or tin plated

Nut:Kirsite,Ni plated

				公差 TOLERANCES	.X± 0.3 .XX± 0.15	角度	± 1°	单位 DIMENSION UNIT	mm.
				版本 VERSION	A1	比例尺 SCALE	NONE	日期 DATE	2019.03.01
				核准 APPROVED BY		核对 CHECKED BY	Z. H. B.	绘图 DRAWN BY	王立权
A1	重新整理发行	2019.03.01	N/A						
版本 VER.	变更说明 CHANGE DESCRIPTION	日期 DATE	ECN NO.						
								FH1-12-M	图号 DRAWING NO FH1-12-M_A1