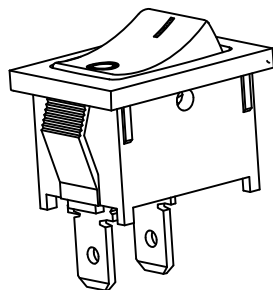
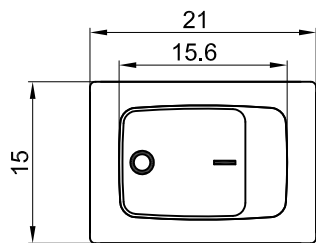


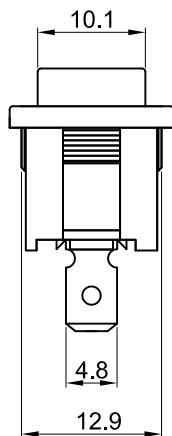
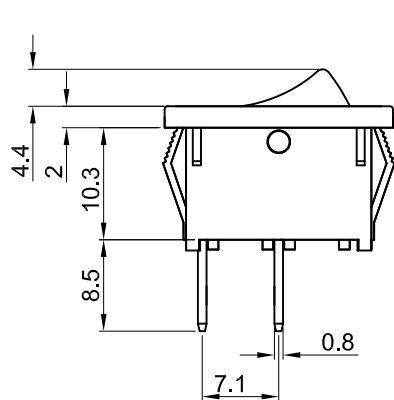


MR-1

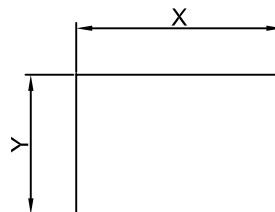


Rating: 10A 125V AC (UL CUL ) US  
6A 250V AC (CQC ENEC VDE CB )

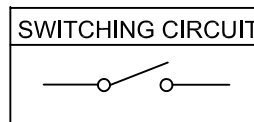
Contact Resistance: 50mΩ Max  
Insulation Resistance: DC 500V 100MΩ Min  
Dielectric Strength: AC1500V 1 minute  
Electrical life: 10,000 cycles  
Operating Temperature: 0°C ~85°C



CUT-OUT



	X	Y
0.75~1.25	19.2-0.1	13.0+0.1
1.25~2.00	19.4-0.1	13.0+0.1
2.00~3.00	19.8-0.1	13.0+0.1



MATERIAL:

Body:Nylon66,UL rated:94V-2 min  
Actuator:Nylon66,UL rated:94V-2 min  
Terminal:Copper,Brass,silver or tin plated  
Rotor:Brass,Ni plated

0	1	2	3	4	5	7	8	9	A	B	C	D	E	G	H	J	L
None		ON OFF				ON/开 OFF/关									开关		

				公差 TOLERANCES		.X± 0.3 .XX± 0.15		角度 ± 1°		单位 DIMENSION UNIT		mm.	
				版本 VERSION	A1	比例尺 SCALE	NONE	日期 DATE	2021.06.10	品名 TITLE		图号 DRAWING NO	
				核准		核对	Z. H. B.	绘图	王立权	MR-1-110-C5N-WW		MR-1-110-C5N-WW_A1	
版本 VER.	变更说明 CHANGE DESCRIPTION	日期 DATE	ECN NO.	APPROVED BY	CHECKED BY	Z. H. B.	DRAWN BY	王立权	MR-1-110-C5N-WW		MR-1-110-C5N-WW_A1		