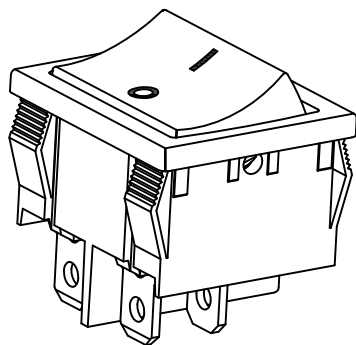
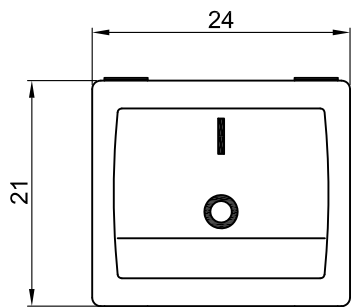




MR-4



Rating: 10A 125V AC,6A 250V AC (UL CUL )c us

6A 250V AC ( VDE CQC CB)

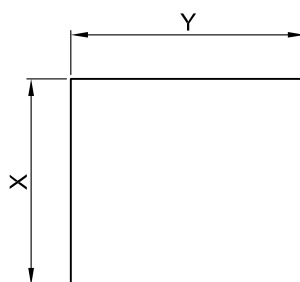
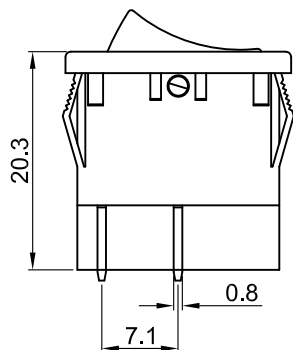
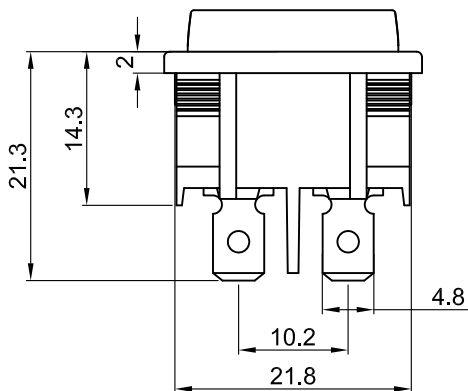
Contact Resistance: 50mΩ Max

Insulation Resistance: DC 500V 100MΩ Min

Dielectric Strength: AC1500V 1 minute

Electrical life: 10,000 cycles

Operating Temperature: 0°C~85°C



CUT-OUT

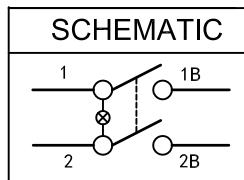
	X	Y
0.75~1.25	19.2-0.1	21.8~21.9
1.25~2.00	19.4-0.1	21.8~21.9
2.00~3.00	19.8-0.1	21.8~21.9

MATERIAL:

Body:Nylon66,UL rated:94V-2 min

Actuator:PC

Terminal:Brass,silver or tin plated



	X	0	1	2	3	4	5	7	8	9
Marking	None									
	None	ON	OFF				Front/前进	Back/后退	Front	Back
										开
										关

				公差 TOLERANCES		.X± 0.3 .XX± 0.15		角度 ANGLE ± 1°		单位 DIMENSION UNIT mm.	
				版本 VERSION	A1	比例尺 SCALE	NONE	日期 DATE	2020.06.28	品名 TITLE	图号 DRAWING NO
A1	重新整理后发行	2020.06.28	N/A	核准		核对		绘图		MR-4-210-C5L-BR	MR-4-210-C5L-BR_A1
版本 VER.	变更说明 CHANGE DESCRIPTION	日期 DATE	ECN NO.	APPROVED BY		CHECKED BY	Z.H.B.	DRAWN BY			