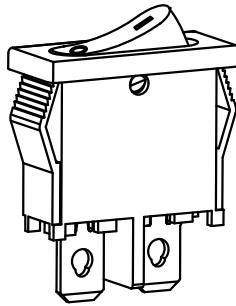
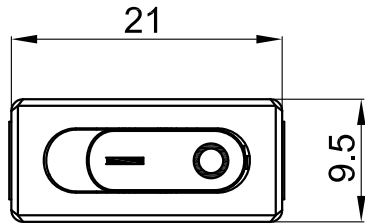


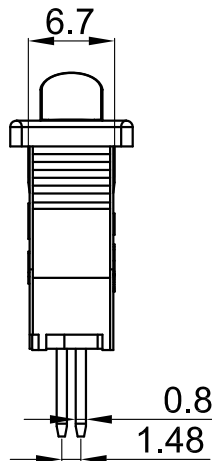
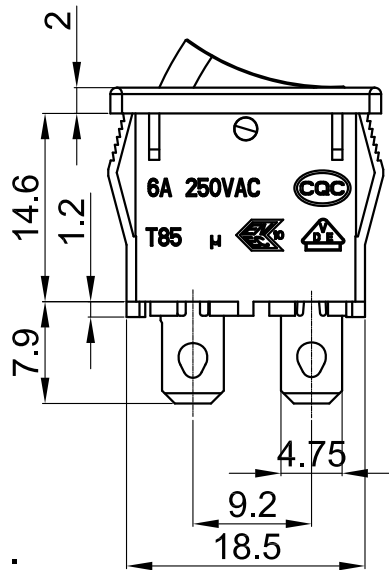


MR-2

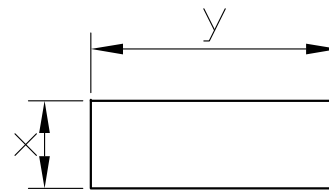


Rating: 10A 125V AC (UL CUL)
 6A 250V AC (UL CUL VDE CB)

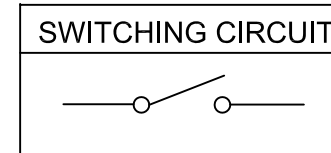
Contact Resistance: 50mΩ Max
 Insulation Resistance: DC 500V 100MΩ Min
 Dielectric Strength: AC1500V 1 minute
 Electrical life: 10,000 cycles
 Operating Temperature: 0°C ~ 85°C



CUT-OUT



	X	Y
0.75~1.25	6.8-0.1	19.2±0.1
1.25~2.00	6.8-0.1	19.2±0.1
2.00~3.00	6.8-0.1	19.2±0.1



MATERIAL:

Body:Nylon66,UL rated:94V-2 min
 Actuator:Nylon66,UL rated:94V-2 min
 Terminal:Brass,silver or tin plated

Marking	X	0	1	5	9	A	C
	None						

		公差 TOLERANCES		.X±0.3 .XX±0.15		角度 ANGLE ±1°		单位 DIMENSION UNIT mm.	
		版本 VERSION	A1	比例尺 SCALE	NONE	日期 DATE	2020.07.15	品名 TITLE	图号 DRAWING NO
A1	重新整理后发行	2020.07.15	N/A	核准	核对	绘图		MR2-110-C5N-BB	MR2-110-C5N-BB_A1
版本 VER.	变更说明 CHANGE DESCRIPTION	日期 DATE	ECN NO.	APPROVED BY	CHECKED BY	Z.H.B.	DRAWN BY		