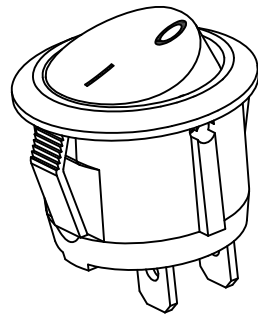
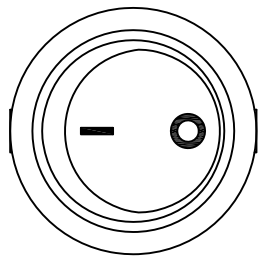


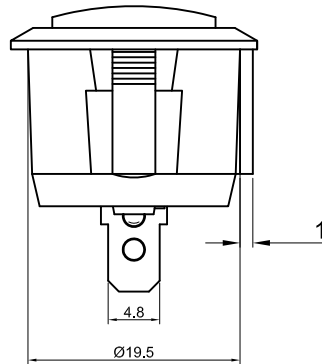
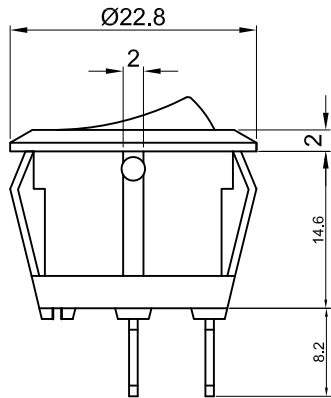


MR-5

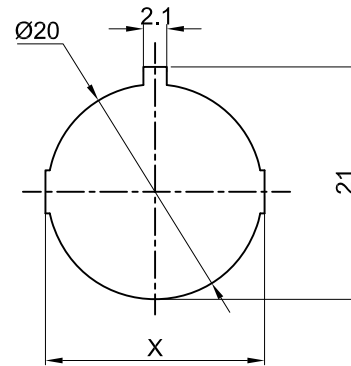


Rating: 10A 125V AC, 6A 250V AC (UL CUL )<sub>C</sub>   
 6A 250V AC ( VDE CQC CB)

Contact Resistance: 50mΩ Max  
 Insulation Resistance: DC 500V 100MΩ Min  
 Dielectric Strength: AC1500V 1 minute  
 Electrical life: 10,000 cycles  
 Operating Temperature: 0°C~85°C



CUT-OUT



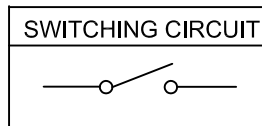
	X
0.75~1.25	20.2
1.25~2.00	20.4
2.00~3.00	20.6

MATERIAL:

Body:Nylon66,UL rated:94V-2 min

Actuator:PC

Terminal:Brass,silver or tin plated



x	0	1	2	3	4	5	7	8
Marking	None							

				公差 TOLERANCES		.X± 0.3 .XX± 0.15		角度 ± 1°		单位 DIMENSION UNIT mm.	
				版本 VERSION	A0	比例尺 SCALE	NONE	日期 DATE	2020.07.15	品名 TITLE	图号 DRAWING NO
				核准 APPROVED BY		核对 CHECKED BY	Z. H. B.	绘图 DRAWN BY	黎夏	MR-5-110-C5N-BU(PC)	MR-5-110-C5N-BU(PC)_A0
版本 VER.	变更说明 CHANGE DESCRIPTION	日期 DATE	ECN NO.								