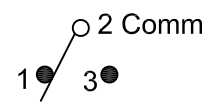
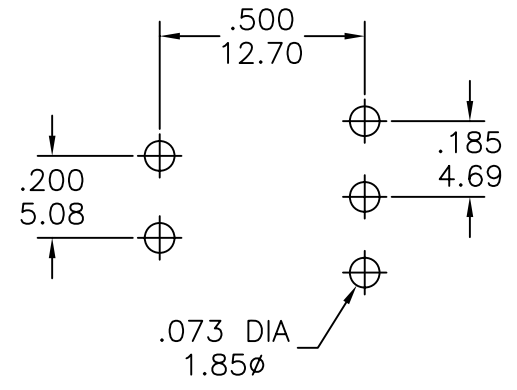
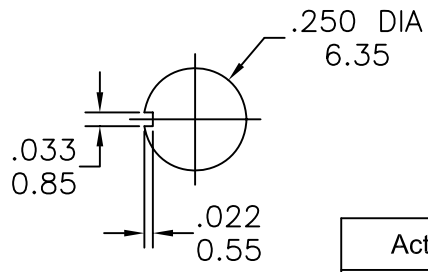
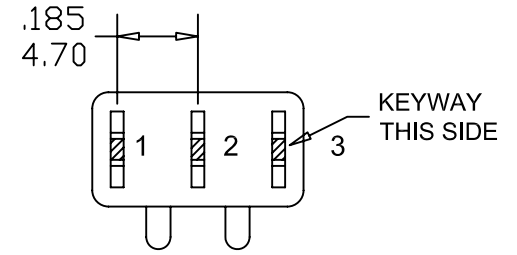
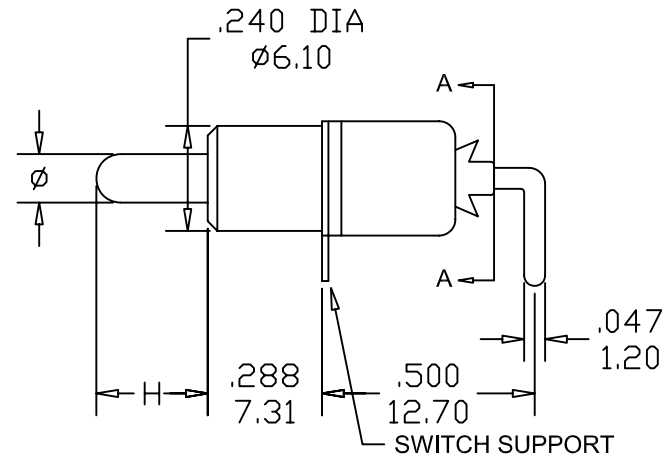
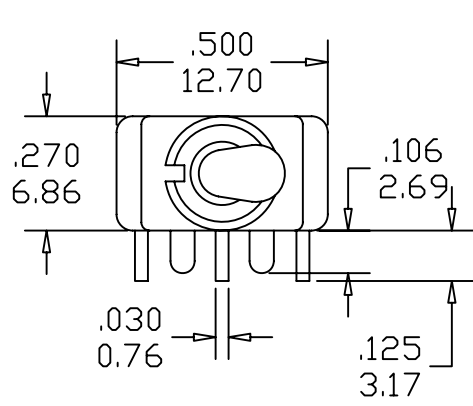


T8019-TN



Actuator	H	Ø
S	11.50	Ø3.00
T	6.50	Ø2.70

Model No.	Switching Position		
T8019	ON	None	ON
T8019A	ON	None	(ON)
T8020	ON	OFF	ON
T8020A	(ON)	OFF	(ON)
T8020B	ON	OFF	(ON)
Term. Comm.	2-3	OPEN	2-1

					Nominal Tolerance		Part no. T8019-TN		HONGJU ELECTRONIC CO., LTD			Check		
					Range Tolerance		Dwg no.					Drawer		
					0 ~ 1 ±0.10		Part Name.		Scale 2:1				Date	
					1 ~ 4 ±0.20		T80-T/ SPDT Miniature Toggle Switches		Unit m/m (inch)		Rev. 0		Edition A0	
NO.	1	A0	NEW	05.04.21	4 ~ 16 ±0.30									