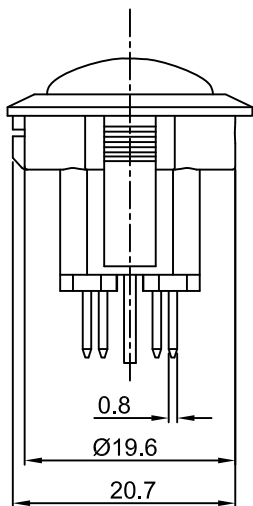
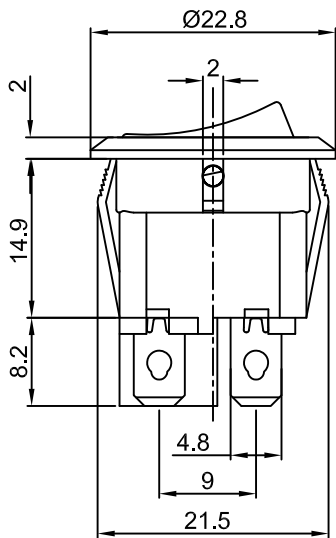
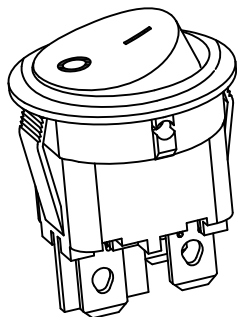
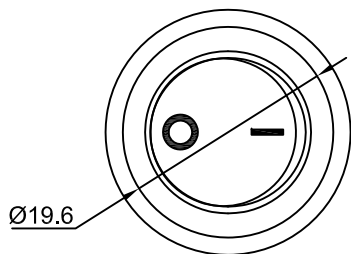




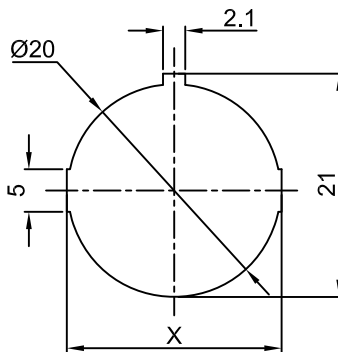
MR-6A



Rating: 10A 125V AC (UL CUL) US
6A 250V AC (VDE CQC CB)
10A 250V AC

Contact Resistance: 50mΩ Max
Insulation Resistance: DC 500V 100MΩ Min
Dielectric Strength: AC1500V 1 minute
Electrical life: 10,000 cycles
Operating Temperature: 0°C~85°C

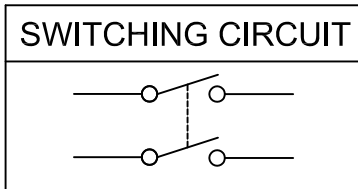
CUT-OUT



| | |
|-----------|------|
| | X |
| 0.75~1.25 | 20.2 |
| 1.25~2.00 | 20.4 |
| 2.00~3.00 | 20.6 |

MATERIAL:

Body:Nylon66,UL rated:94V-2 min
Actuator:Nylon66,UL rated:94V-2 min
Terminal:Brass,silver or tin plated



| | | | | | | |
|---------|------|---|---|---|---|---|
| X | 0 | 1 | 2 | 3 | 4 | 5 |
| Marking | None | | | | | |

| | | | | | | | | | |
|---------|-------------------------|---------------|---------|-------------|------------|---------------|------------|-----------------------|--------------------|
| | | 公差 TOLERANCES | | .X± 0.3 | .XX± 0.15 | 角度 ANGLE ± 1° | | 单位 DIMENSION UNIT mm. | |
| | | 版本 VERSION | A1 | 比例尺 SCALE | NONE | 日期 DATE | 2020.06.27 | 品名 TITLE | 图号 DRAWING NO |
| | | 核准 | | 核对 | Z.H.B. | 绘图 | Z.H.B. | MR6A-210-C5N-BB | MR6A-210-C5N-BB_A1 |
| 版本 VER. | 变更说明 CHANGE DESCRIPTION | 日期 DATE | ECN NO. | APPROVED BY | CHECKED BY | DRAWN BY | Z.H.B. | | |