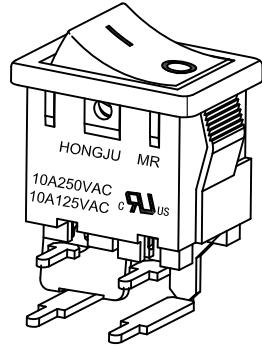
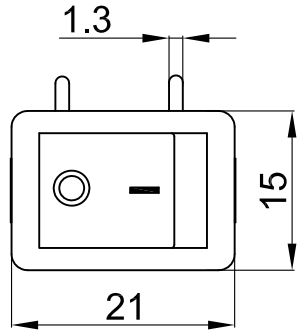




MR-6



Rating: 10A 125V AC (UL CUL)
6A 250V AC (UL CUL VDE CB)

Contact Resistance: 50mΩ Max

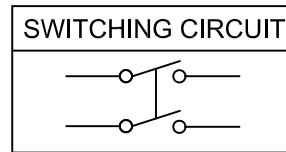
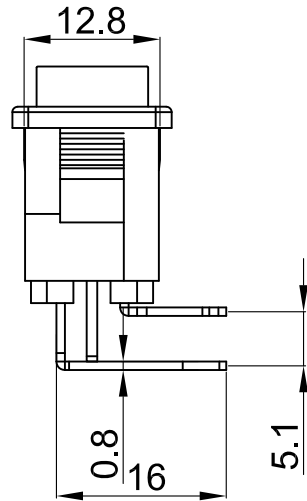
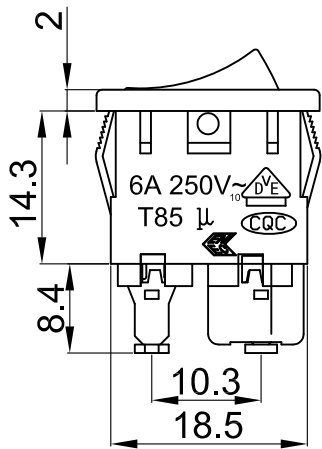
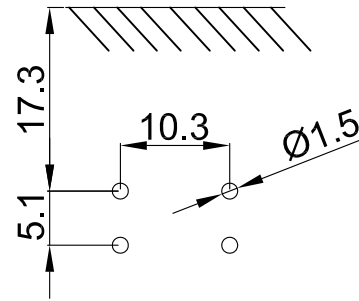
Insulation Resistance: DC 500V 100MΩ Min

Dielectric Strength: AC1500V 1 minute

Electrical life: 10,000 cycles

Operating Temperature: 0°C ~ 85°C

CUT-OUT



MATERIAL:

Body:Nylon66,UL rated:94V-2 min

Actuator:Nylon66,UL rated:94V-2 min

Terminal:Brass,silver or tin plated

MarkingX	0	1	2	4	5
None					

				公差 TOLERANCES	.X± 0.3	.XX± 0.15	角度 ANGLE	± 1°	单位 DIMENSION UNIT	mm.
				版本 VERSION	A1	比例尺 SCALE	NONE	日期 DATE	2020.07.15	品名 TITLE
				核准		核对 CHECKED BY	Z.H.B.	绘图 DRAWN BY		图号 DRAWING NO
A1	重新整理发行	2020.07.15	N/A	APPROVED BY		CHECKED BY		DRAWN BY		MR6-213-C5N-BB
版本 VER.	变更说明 CHANGE DESCRIPTION	日期 DATE	ECN NO.	APPROVED BY		CHECKED BY		DRAWN BY		MR6-213-C5N-BB_A1