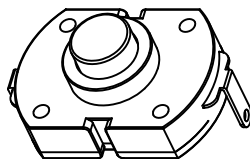
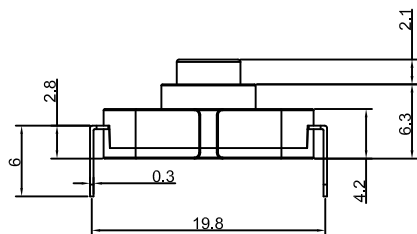
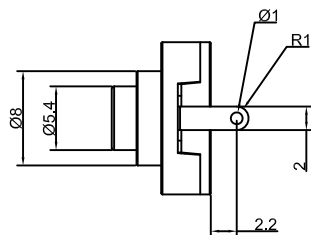
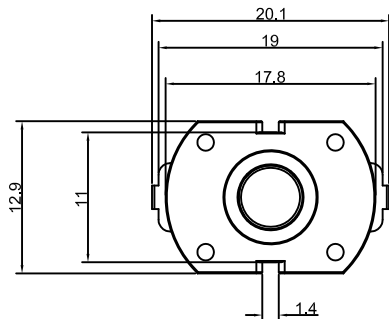




宏聚电子五金制品有限公司

HONGJU ELECTRONIC & METAL PRODUCTS CO.,LTD

TS205



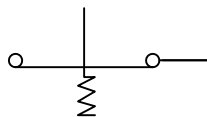
Specifications

| | |
|---------------------------------|----------------------------|
| Current rating | :2A |
| Voltage rating | :12VDC |
| Dielectric withstanding voltage | :500VAC 0.5mA for 1 minute |
| Contact resistance | :50m Ω Max.(Initial) |
| Insulation resistance | :100M Ω Min. |
| Operating force | :600±200gf |
| Total travel | :1.0mm±0.2mm |
| Mechanical service life | :30,000 cycles Min. |
| Solder specifications | :260° C for 5 seconds |
| Operating temperature | :0° C ~ +60° C |
| Function | : OFF - (ON) |

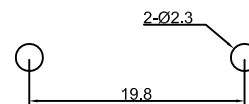
MATERIAL:

Frame:Nylon66,UL rated:94V-2 Min. ;
Cap: POM;
Terminal:Brass,Silver or Tin plated.

SWITCHING CIRCUIT



PCB MOUNTING



| | |
|-----------------------|-----------|
| Y | Yellow 黄色 |
| R | Red 红色 |
| O | Orange 橙色 |
| B | Black 黑色 |
| A | Gray 灰色 |
| G | Green 绿色 |
| Cap Color X 按键颜色 X | |

| | | | | | | | | | | |
|---------|-------------------------|------------|---------|------------------------------------|----|------------|--------------|----------|-----------------------|----------------|
| | | | | 公差 TOLERANCES \$.X± 0.3 .XX± 0.15 | | | 角度 ANGLE± 1° | | 单位 DIMENSION UNIT mm. | |
| | | | | 版本 | A1 | 比例尺 | NONE | 日期 | 2020.07.28 | 品名 TITLE |
| A1 | 重新整理发行 | 2020.07.28 | N/A | VERSION | | SCALE | | DATE | | 图号 |
| A0 | New Issue | 2008.07.08 | N/A | 核准 | | 核对 | Z.H.B. | 绘图 | | DRAWING NO |
| 版本 VER. | 变更说明 CHANGE DESCRIPTION | 日期 DATE | ECN NO. | APPROVED BY | | CHECKED BY | | DRAWN BY | | TS205-B-4-R |
| | | | | | | | | | | TS205-B-4-R_A1 |