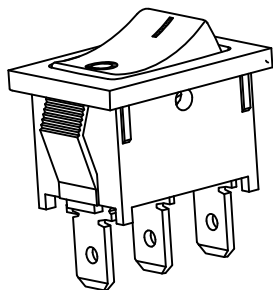
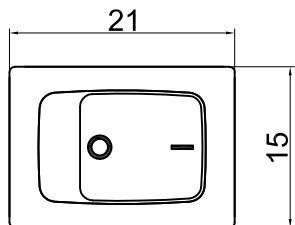
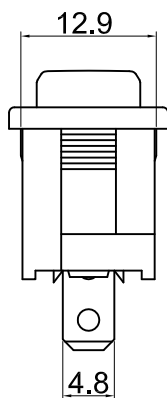
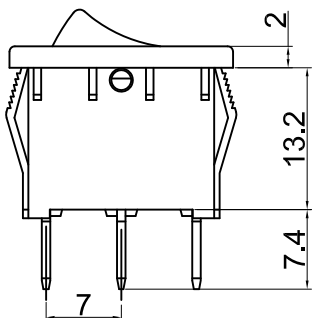




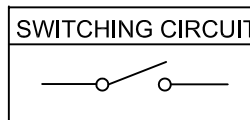
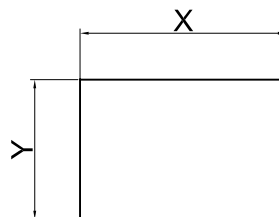
MR-1



Rating: 10A 125V AC (UL CUL)
 6A 250V AC (UL CUL VDE CB)
 Contact Resistance: 50mΩ Max
 Insulation Resistance: DC 500V 100MΩ Min
 Dielectric Strength: AC1500V 1 minute
 Electrical life: 10,000 cycles
 Operating Temperature: 0°C ~85°C



CUT-OUT



| | | |
|-----------|----------|----------|
| | X | Y |
| 0.75~1.25 | 19.2-0.1 | 13.0+0.1 |
| 1.25~2.00 | 19.4-0.1 | 13.0+0.1 |
| 2.00~3.00 | 19.8-0.1 | 13.0+0.1 |

MATERIAL:

Body:Nylon66,UL rated:94V-2 min
 Actuator:Nylon66,UL rated:94V-2 min
 Terminal:Brass,silver or tin plated

| | | | | | | | | | | | | | | | | | |
|------|---|-----------|---|---|---|---------------|---|---|---|---|---|---|---|---|----|---|---|
| 0 | 1 | 2 | 3 | 4 | 5 | 7 | 8 | 9 | A | B | C | D | E | G | H | J | L |
| None | | ON OFF | | | | ON/开 OFF/关 | | | | | | | | | 开关 | | |

| | | | | | | | | | | | | | | | | | |
|---------|-------------------------|---------|---------|---------------|------------|-----------|----------|-----------|------------|-----------------|--|--------------------|--|-----------------------|--|--|--|
| | | | | 公差 TOLERANCES | | .X± 0.3 | | .XX± 0.15 | | 角度 ANGLE | | ± 1° | | 单位 DIMENSION UNIT mm. | | | |
| | | | | 版本 VERSION | A1 | 比例尺 SCALE | NONE | 日期 DATE | 2020.07.17 | 品名 TITLE | | 图号 DRAWING NO | | | | | |
| | | | | 核准 | | 核对 | Z.H.B. | 绘图 | | MR-1-118-C5N-BB | | MR-1-118-C5N-BB_A1 | | | | | |
| 版本 VER. | 变更说明 CHANGE DESCRIPTION | 日期 DATE | ECN NO. | APPROVED BY | CHECKED BY | Z.H.B. | DRAWN BY | | | | | | | | | | |